



Specification Sheet Model NX503MTL

Description

The NuVent 503MTL fan with metal duct collar meets IBC (City of Houston Amendments) requirements specifying the use of a metal attachment to the housing for fire rating. Featuring a curved grille designed for efficient airflow, the 503MTL is ideal for baths, powder rooms and utility rooms from 45 to 65 sq ft. This fan can be mounted in a side wall installation.

Features

Grille

- Attractive curved styling with soft rounded profile.
- Textured, white polymeric.
- Mounts directly to housing with torsion springs.

Housing

- One piece galvanized steel construction.
- Extended discharge collar for easy attachment to 3" diameter metal duct collar.
- Mounts directly to joist with mounting tabs.
- Side wall or ceiling mount.
- Large removable wiring compartment.

Blower

- Removable blower with easy slide-in mounting.
- Plug in motor rated for 120 volts 60 Hz operation.

Other

- This product is approved for use over tub/shower enclosures when installed in a GFI protected branch circuit.
- Built in backdraft damper.

Performance

- Air Delivery - 50cfm @ .1"w.g. s.p.
- Sound Level - 4.0 sones
- Volts - 120
- Hertz - 60
- Amps - 0.9
- Watts - 44
- Duct - 3" round



The Home Ventilating Institute has tested and certified the airflow performance (CFM) and sound levels (sones) of this product.

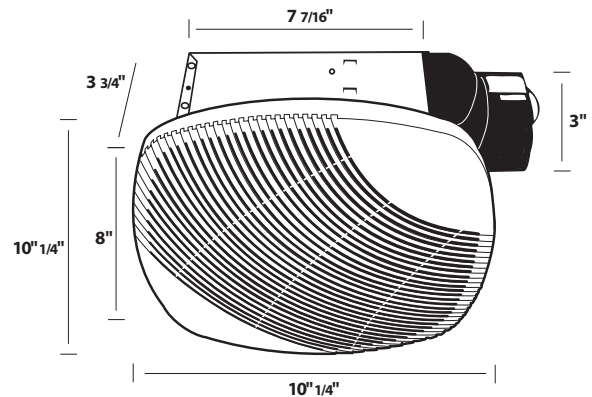
General

This product has been evaluated by Underwriters Laboratories and conforms to both UL and CSA safety standards.

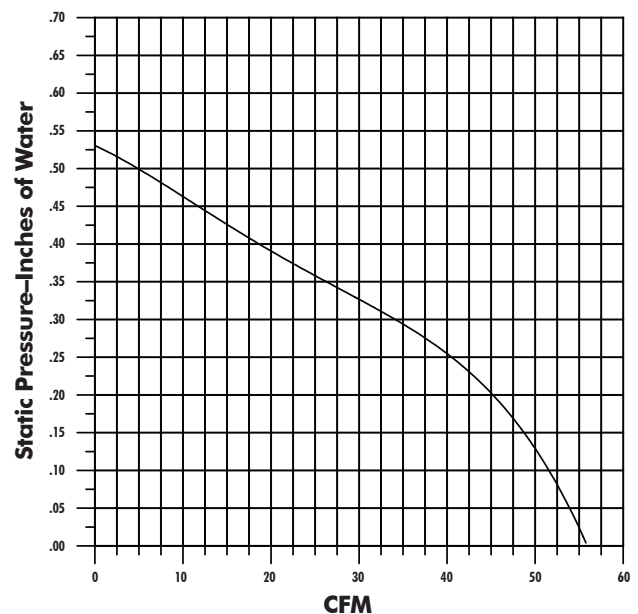


Specifications

NuVent ventilator model 503MTL. The ventilator shall be constructed with a galvanized steel housing and 3" diameter discharge collar. The blower unit shall be removable with a permanently lubricated, plug-in motor. Air delivery and sound levels shall be certified by HVI at the levels listed for this model. All units shall be UL listed.



**NuVent Product Performance
Model NX503MTL**



SPECIFICATION			PROJECT:
Reference	Quantity	Comments	Location:
			Architect:
			Engineer:
			Contractor:
			Submitted by:
			Date: